

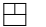

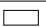
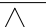
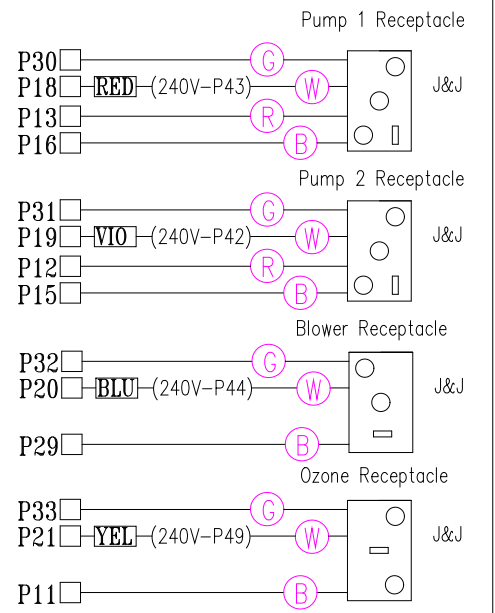
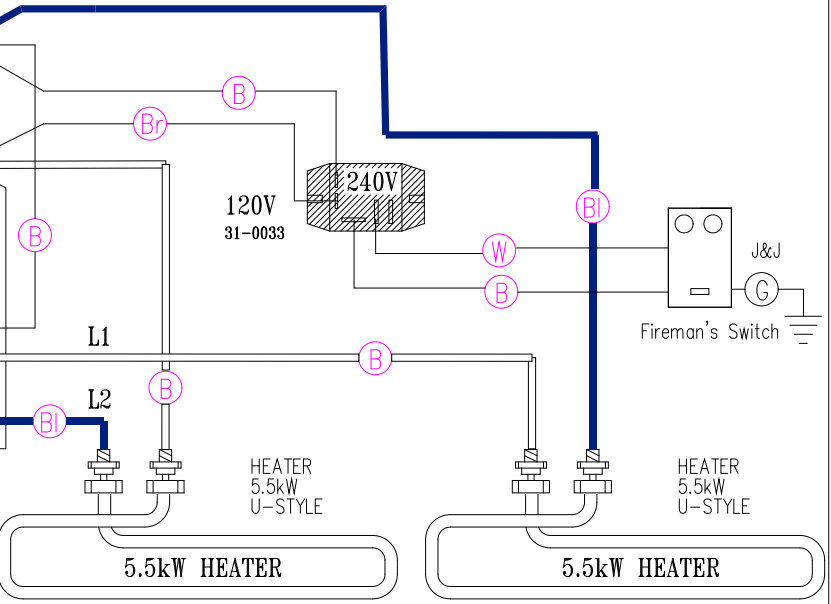
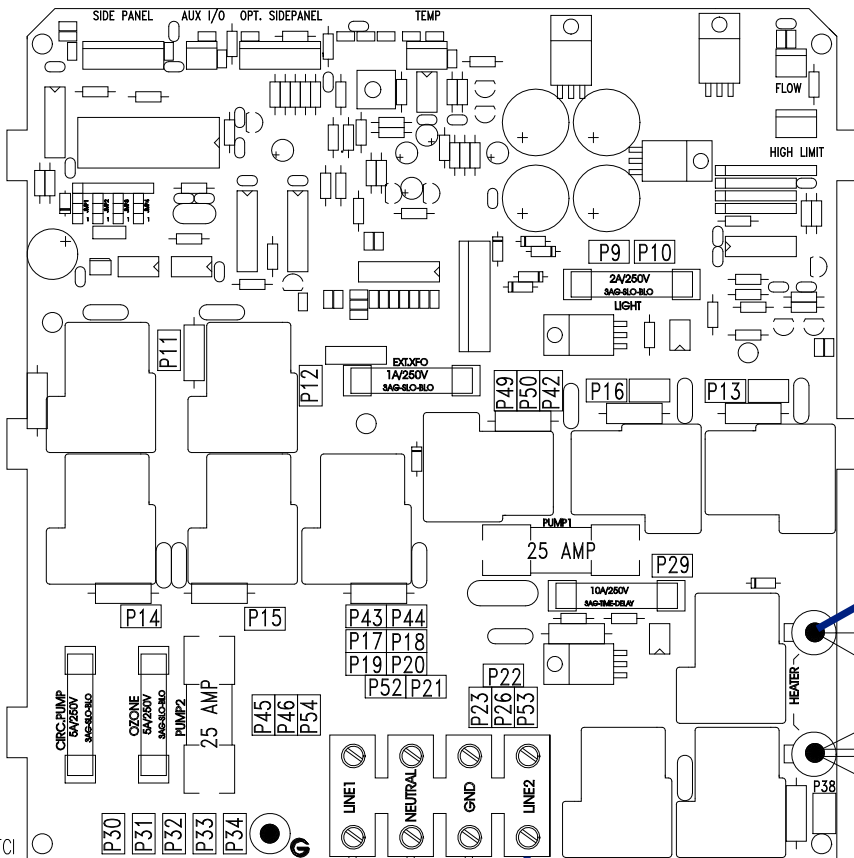
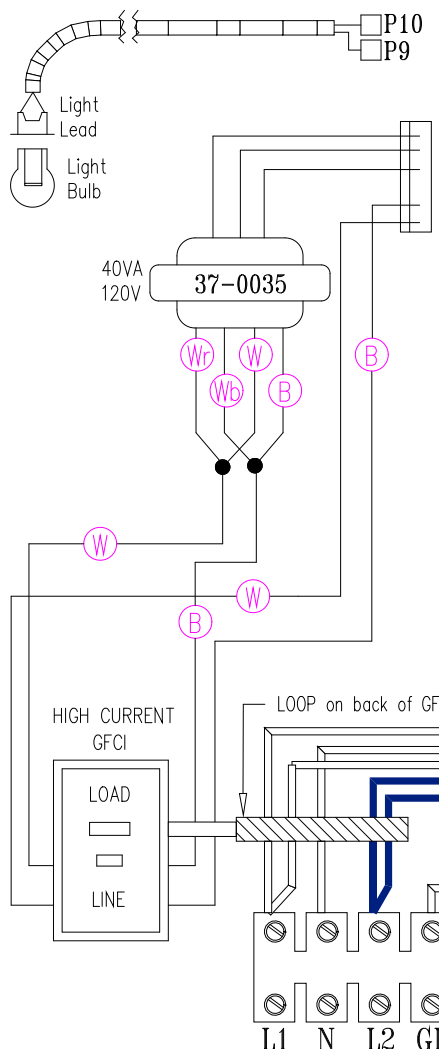


### LEGEND

-  - 1/4" QUICK CONNECT
-  - 1/4" QUICK CONNECT PIGGYBACK
-  - FORK CONNECTOR
-  - RING CONNECTOR
-  - SOCKET CONNECTOR
-  - PIN CONNECTOR

## 33-0010-R5



HYDRO-QUIP  
CORONA, CA (909) 273-7575

Manufacture Notes:

SHADED COMPONENTS ARE 240V

Dwg. No. <b>C222AH-HKPQY-J</b>	Drawn BH	Rev 16
Reviewed By:	Date 6.4.01	
	Diagram No. <b>5006</b>	

Wire Color Code	
B - Black	G - Green
Br - Brown	Bl - Blue
R - Red	V - Violet
O - Orange	W - White
Y - Yellow	Gr - Gray

